

Airpura

AIR PURIFIERS

I-600

Healthcare

**Isolation, Particle Abatement
UV option for Antigen and Pathogen Sterilization**

The Airpura I-600

Specially designed for use in healthcare clinics and institutions.

Large HEPA filter

Traps airborne droplets.

Optional UV germicidal lamp

Sterilizes antigens and pathogens.

Optional HI-C carbon weave

Adsorbs odors and airborne chemicals and gases.

Effective for up to 2000 square feet

Recycles the air approximately every 30 minutes.

Optional negative air accessories available

Enables you to quickly create an isolation area.

Solid easy to move, lockable casters

Weighs less than 30 lbs. Moves easily and casters can be locked in place.



The Airpura I-600

Available in

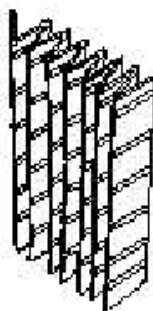
White / Black / Cream

The Airpura Limited Warranty

2 years parts 5 years labor

High Quality HEPA Filter

- Over 100 square feet of filtration surface with 3" deep folds.
- The Hepa is warm rolled to avoid cracking at the folds and avoid leakage.
- Spacers keep the folds open and make sure that all the surface area is filtering.



Filter Life

Hepa filters typically last 5 years in regular use.

Pre-filters can be vacuumed from the exterior of the unit and should be changed preferably every 3 months depending on use.

HI-C carbon weave (optional) should be changed every 4-6 months depending on use.

Safe effective air filtration with negative air option

Airpura

AIR PURIFIERS

I-600

Healthcare

Technical Specifications

Particle removal

Over 100 sq ft true HEPA
(Measured only 1 side)
10 pleats per inch
Pleats warm rolled
with separators

Odor and chemical Suppression (Optional)

306 sq" HI-C carbon weave

**Air Flow 560 cfm, 0"wg
450 delivered**

Pre-filter

570 sq in x 1in deep

Housing

Powder coat steel

Size

23" x 15"

Weight

35 lbs total

Voltage Options

115 or 220 volts

Watts

120 on high 40 on low

Sound Level

28.1 db on low (at 6 feet)
62.3 db on high (560 cfm)
(Room level 25.1 db)

ETL Certified

Conforms to
CSA C22.2 no 113
ANSI / UL 507

Your Airpura Dealer

Further information:
BERRIMAN ASSOCIATES
1-800-480-3630
www.berriman.com

Unique Features

- **Pressure seal** Airpura's unique pressure seal on the filter chamber ensures that all of the dirty air passes through the filters. Other systems allow leakage and do not achieve the 99.97% HEPA filtration rating
- **Felt gaskets** seal the filter chamber. Maximize filtration with no rubber off-gassing found with other filters
- **All metal housing** ensures no plastic vapors are emitted
- **Backward curved motorized impeller** eliminates the vibrations and noise associated with older motor and shaft set ups
- **Variable speed motor** lets you choose your ideal level of filtration
- **Motor out of the air flow.** Most air purifiers blow the clean air over the motor and pick up fresh impurities
- **Unimpeded airflow** simple and direct internal airflow avoids the air turbulence, inefficiency and noise associated with more convoluted systems
- **Separate electrical parts chamber** prevents any off gassing from capacitors, condensers or switches.
- **Perforated steel exterior** offers both a softer appearance and 360 degree air intake and distribution.
- **Separately changeable filters** The Hepa and carbon filters can be changed separately so you only change them when appropriate and save operating costs

Filtration System

Large 3" deep HEPA filter

Traps 99.97% of particles as small as 0.3 microns

Cleanable prefilter

Vacuum through grill and change every 12 months

Hi-C Carbon weave (Optional)

Absorbs airborne chemicals noxious gases and odors

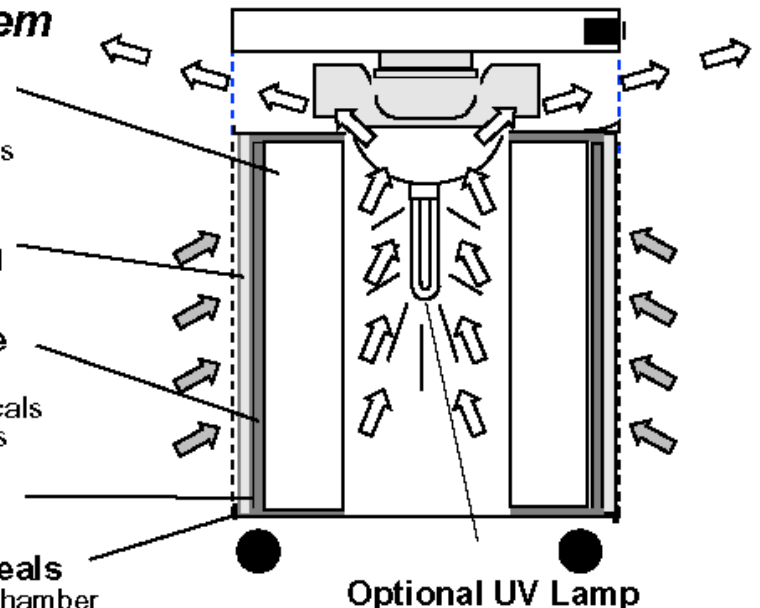
Felt gaskets

no rubber off gassing

Unique Pressure seals

ensure integrity of filter chamber

Optional UV Lamp



True HEPA Filters

Developed by the atomic energy commission to filter radio active particles as small as 0.3 microns

Hi-C Carbon weave

Also known as paratrooper carbon, it is used to protect soldiers from poisonous gases and chemical warfare

Large scale HEPA filtration protects against airborne particles

Further information: Berriman Associates 1-800-480-3630 www.berriman.com

Further information: □
BERRIMAN ASSOCIATES □
1-800-480-3630 □
www.berriman.com

I-600 with optional negative/positive □
pressurization accessory allowing filtered □
exhaust to be ducted.

